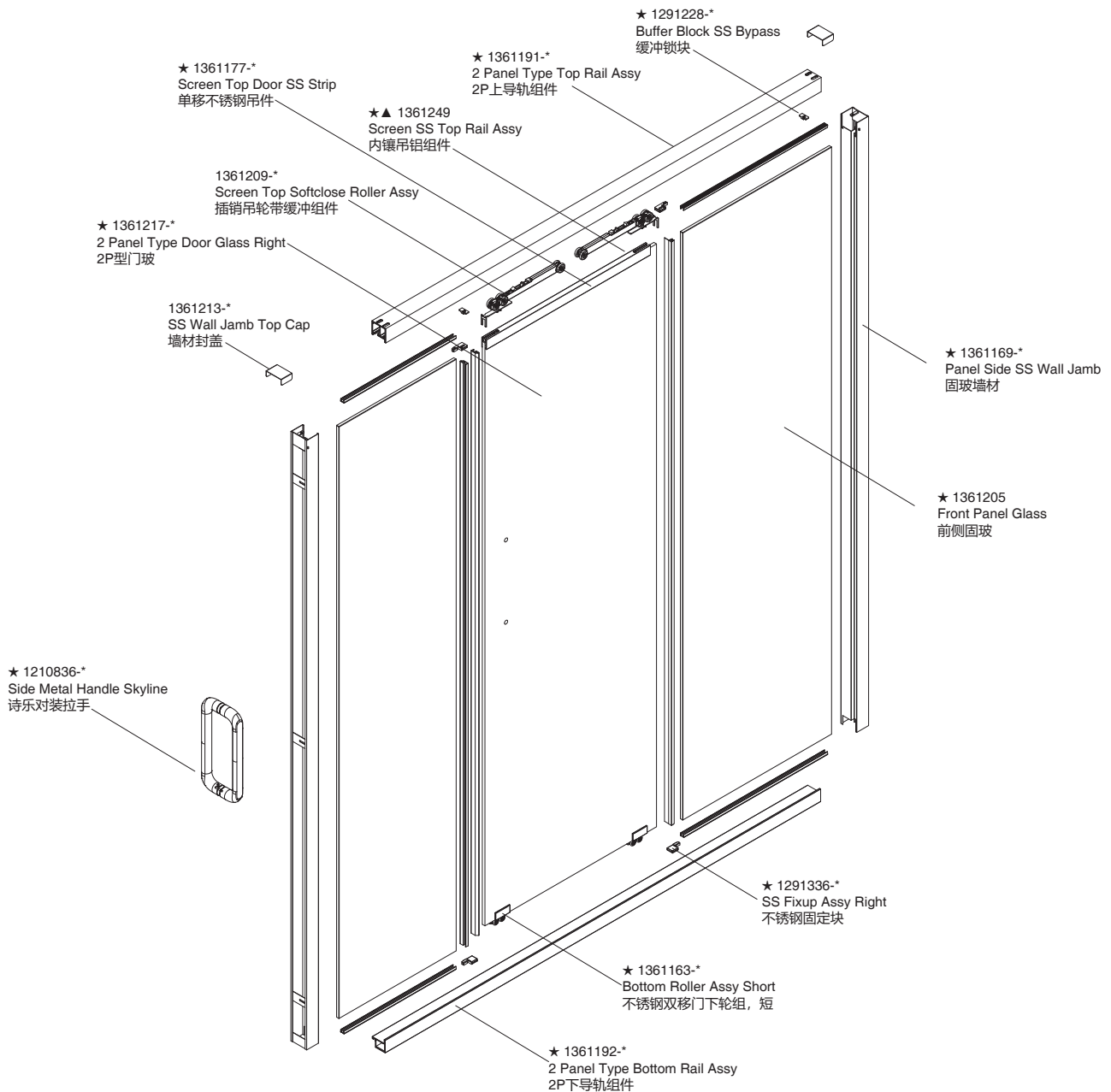


SLIDING, SS, SCREEN, 1D2P, W/SC, 10mm
 不锈钢移门淋浴房，一字型，两固一活，缓冲，10mm防爆贴膜玻璃
 K-22313T

SLIDING, SS, SCREEN, 1D2P, 10mm
 不锈钢移门淋浴房，一字型，两固一活，10mm防爆贴膜玻璃
 K-701528T

SLIDING, SS, SCREEN, 1D2P, 8mm
 不锈钢移门淋浴房，一字型，两固一活，8mm防爆贴膜玻璃
 K-701534T

K-22313T



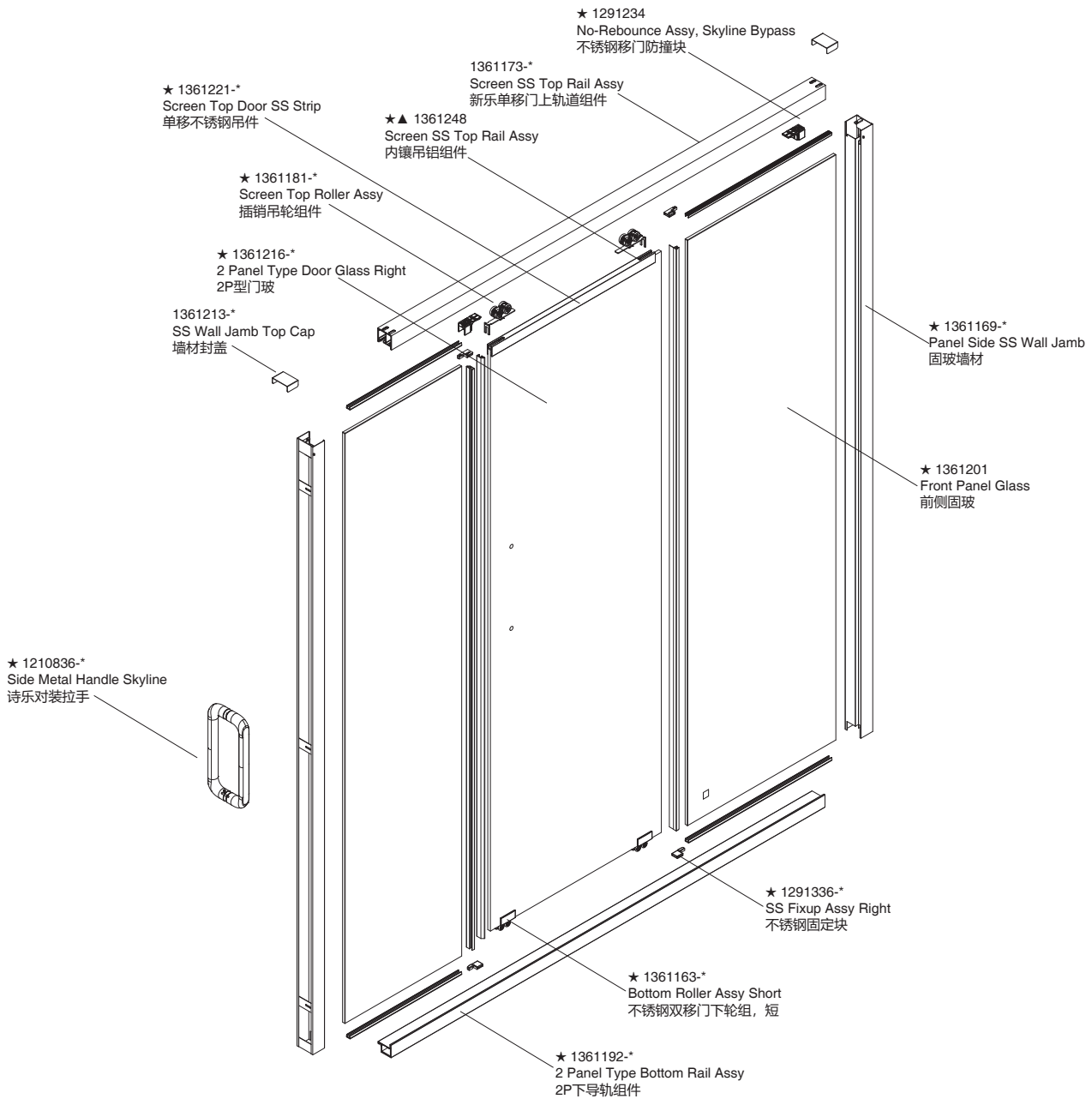
* Color code must be specified when ordering.
 * 订购时请说明颜色编号。

SLIDING, SS, SCREEN, 1D2P, W/SC, 10mm
 不锈钢移门淋浴房，一字型，两固一活，缓冲，10mm防爆贴膜玻璃
 K-22313T

SLIDING, SS, SCREEN, 1D2P, 10mm
 不锈钢移门淋浴房，一字型，两固一活，10mm防爆贴膜玻璃
 K-701528T

SLIDING, SS, SCREEN, 1D2P, 8mm
 不锈钢移门淋浴房，一字型，两固一活，8mm防爆贴膜玻璃
 K-701534T

K-701528T
 K-701534T



* Color code must be specified when ordering.
 * 订购时请说明颜色编号。

SLIDING, SS, SCREEN, 1D2P, W/SC, 10mm
 不锈钢移门淋浴房, 一字型, 两固一活, 缓冲, 10mm防爆贴膜玻璃
 K-22313T

SLIDING, SS, SCREEN, 1D2P, 10mm
 不锈钢移门淋浴房, 一字型, 两固一活, 10mm防爆贴膜玻璃
 K-701528T

SLIDING, SS, SCREEN, 1D2P, 8mm
 不锈钢移门淋浴房, 一字型, 两固一活, 8mm防爆贴膜玻璃
 K-701534T

P/N 零件号	DESCRIPTION 描述	COLOR 颜色	
★ 1361216-R-*	2 Panel Type Door Glass Right 8mm 2P 型门玻 右 8mm	FM,IC	
★ 1361216-L-*	2 Panel Type Door Glass Left 8mm 2P 型门玻 左 8mm		
★ 1361217-R-*	2 Panel Type Door Glass Right 10mm 2P 型门玻 右 10mm		
★ 1361217-L-*	2 Panel Type Door Glass Left 10mm 2P 型门玻 左 10mm		
★ 1361205-*	Front Panel Glass 10mm 前侧固玻 10mm		
★ 1361201-*	Front Panel Glass 8mm 前侧固玻 8mm		
★ 1361191-*	2 Panel Type Top Rail Assy 2P 上导轨组件	S, AF, RGD	
★ 1361192-*	2 Panel Type Bottom Rail Assy 2P 下导轨组件	S, AF, RGD	
★ 1361177-*	Screen Top Door SS Strip 10mm 单移 10mm 不锈钢吊件	S, AF, RGD	
★ 1361221-*	Screen Top Door SS Strip 8mm 单移 8mm 不锈钢吊件	S, AF, RGD	
★ 1361169-R-*	Panel Side SS Wall Jamb Right 固玻墙材 (右)	S, AF, RGD	
★ 1361169-L-*	Panel Side SS Wall Jamb Left 固玻墙材 (左)	S, AF, RGD	
1361213-*	SS Wall Jamb Top Cap 墙材封盖	S, AF, RGD	
★ 1291228-*	Buffer Block, Bypass 缓冲锁块		
★ 1291234	No-Rebound Assy, Bypass, Skyline SS 不锈钢双移门防撞块		
★ 1361163-*	Bottom Roller Assy, Short, 10mm 不锈钢双移门下轮组, 短 10mm	S, AF, RGD	
★ 1291218-*	Bottom Roller Assy, Short, 8mm 不锈钢双移门下轮组, 短 8mm	S, AF, RGD	
★ 1361181-*	Screen Top Roller Assy 10mm 插销吊轮组件 10mm	S, AF, RGD	
★ 1361211-*	Screen Top Roller Assy 8mm 插销吊轮组件 8mm	S, AF, RGD	
1361209-*	Screen Top Softclose Roller Assy 插销吊轮带缓冲组件	S, AF, RGD	
★ 1210836-*	Side Metal Handle Skyline 金属对装拉手	S, AF, RGD	
★ 1291330-R-*	SS Fixup Assy Right 8mm 不锈钢固定块 8mm (右)	S, AF, RGD	
★ 1291330-L-*	SS Fixup Assy Left 8mm 不锈钢固定块 8mm (左)	S, AF, RGD	
★ 1291336-R-*	SS Fixup Assy Right 10mm 不锈钢固定块 10mm (右)	S, AF, RGD	
★ 1291336-L-*	SS Fixup Assy Left 10mm 不锈钢固定块 10mm (左)	S, AF, RGD	
★▲ 1361248	Screen Top Door Alu Assy 8mm 8mm 内镶吊铝组件	★ 1361208	8mm Hanging Rubber Pad 8mm 吊夹胶垫
		1361215	M4 Screw M4 拉铆螺母
		1361172	M4X14 Screw M4X14 沉头螺丝
		1361180	Screen Top Door Alu Assy 单移门玻吊铝
★▲ 1361249	Screen Top Door Alu Assy 10mm 10mm 内镶吊铝组件	★ 1361207	10mm Hanging Rubber Pad 10mm 吊夹胶垫
		1361215	M4 Screw M4 拉铆螺母
		1361172	M4X14 Screw M4X14 沉头螺丝
		1361180	Screen Top Door Alu Assy 单移门玻吊铝
▲ 1361257	SS Screen 2P1D Seal Strip Package 8mm 新乐 2P1D 单移门 8mm 密封配件包	★ 1361260	8mm 135° Grasping Magnetic Seal 135 度错位磁条 8mm
		★ 1210563	8mm Side Waterproof Seal 侧边防水胶条 8mm (1810mm)
		★ 1210785	8mm U Type Protect Seal U 型保护胶条 8mm
		★ 1157901	Insert Seal 8mm 单边胶条 8mm
▲ 1361258	SS Screen 2P1D Seal Strip Package 10mm 新乐 2P1D 单移门 10mm 密封配件包	★ 1361261	10mm 135° Grasping Magnetic Seal 135 度错位磁条 10mm
		★ 1361223	10mm Side Waterproof Seal 侧边防水胶条
		★ 1210863	10mm U Type Protect Seal U 型保护胶条 10mm
		★ 1157883	Insert Seal 10mm 单边胶条 10mm
▲ 1361252	SS Screen Maintenance Kit 新乐单移 - 维修配件包	1343936	Screw M4X8 十字沉头不锈钢机制 M4X8
		1291095	Screw M4X10 十字圆头不锈钢机制 M4X10
		1150121	Screw ST3.5X40 盘头自攻螺钉 ST3.5X40
		1057064	Hollow Wall Anchor, Nylon 膨胀套
		1078843	Screw Key 2mm 内六角扳手 (加长) 2mm
		1095457	Screw Key 3mm 内六角扳手 3mm

Note: Components marked in ▲ can only be ordered in whole pack. When ordering components marked in ★, customers need provide measurement form and corresponding product SKU.

注意: 带▲标注零件仅可整包订购, 带★标注零件订购时需附加测量单和产品 SKU 号。

SLIDING, SS, SCREEN, 1D2P, W/SC, 10mm
不锈钢移门淋浴房, 一字型, 两固一活, 缓冲, 10mm防爆贴膜玻璃
K-22313T

SLIDING, SS, SCREEN, 1D2P, 10mm
不锈钢移门淋浴房, 一字型, 两固一活, 10mm防爆贴膜玻璃
K-701528T

SLIDING, SS, SCREEN, 1D2P, 8mm
不锈钢移门淋浴房, 一字型, 两固一活, 8mm防爆贴膜玻璃
K-701534T

Glass options: L1, L3, L4, L5, L8, L9, C, MZ, IC

玻璃花纹可供选择: L1, L3, L4, L5, L8, L9, C, MZ, IC

FM-It is for filmed glass. The following decorative patterns can be chosen (refer to the table below) together with FM glass.

IC-It is for laminated glass with easy clean coating. The following decorative patterns cannot be chosen together with IC glass.

FM- 此号码为防爆膜玻璃, 配备 FM 时, 可以选择以下指定花纹代码 (参考下表)。

IC- 此号码为夹层 + 超净玻璃, 配备 IC 时, 以下代码不能再选择。

Refer to the table below for glass options

玻璃选项参考下表

P/N 零件号	DESCRIPTION 描述
1291888-L1	蕾丝花纹, L1
1291888-L3	思绪花纹, L3
1291888-L4	梅玛花纹, L4
1291888-L5	晨雾花纹, L5
1291888-L8	繁星花纹, L8
1291888-L9	丝雨花纹, L9
1291888-MZ	镜面玻璃, MZ
1291888-C	超净玻璃, C
1291888-IC	夹胶超净, IC